

senzor®

User manual



Automatic urinal flusher

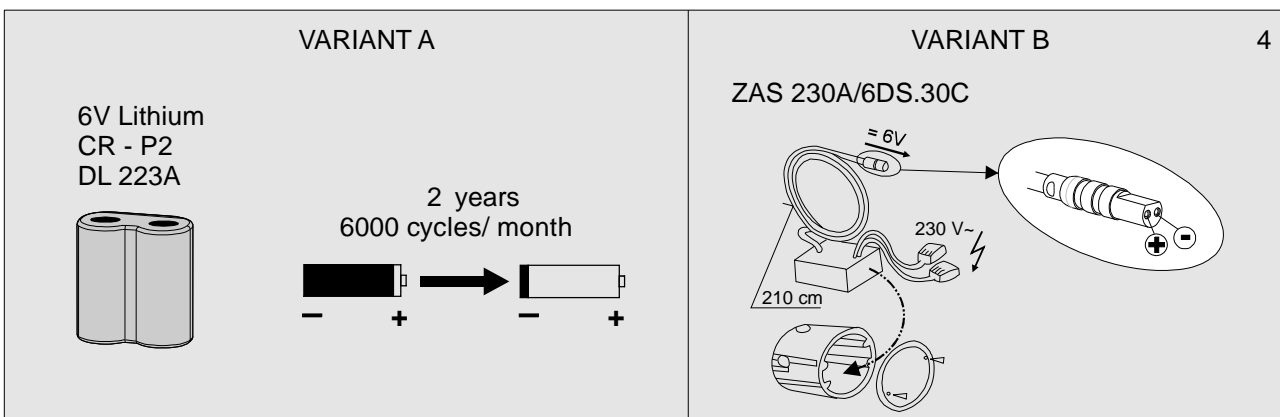
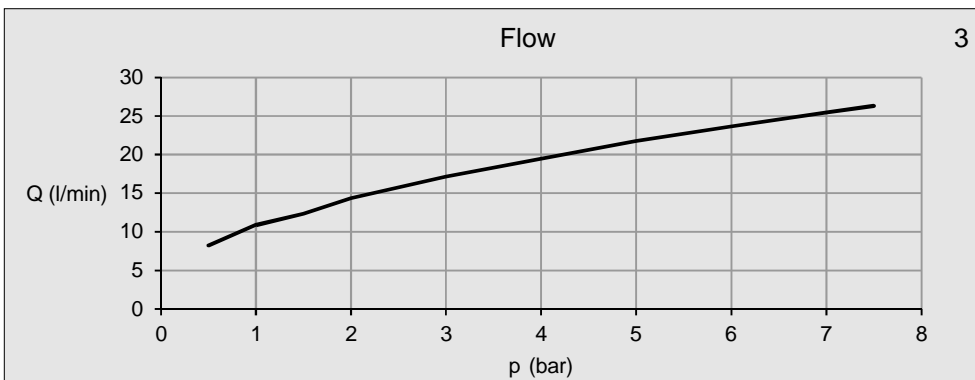
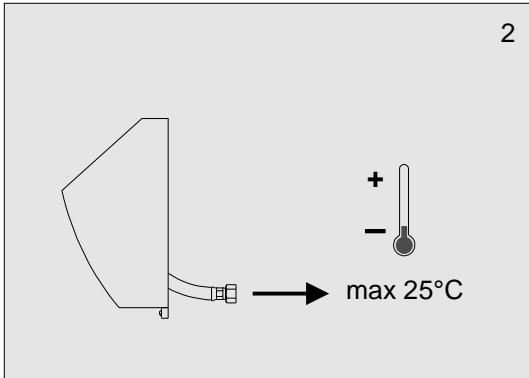
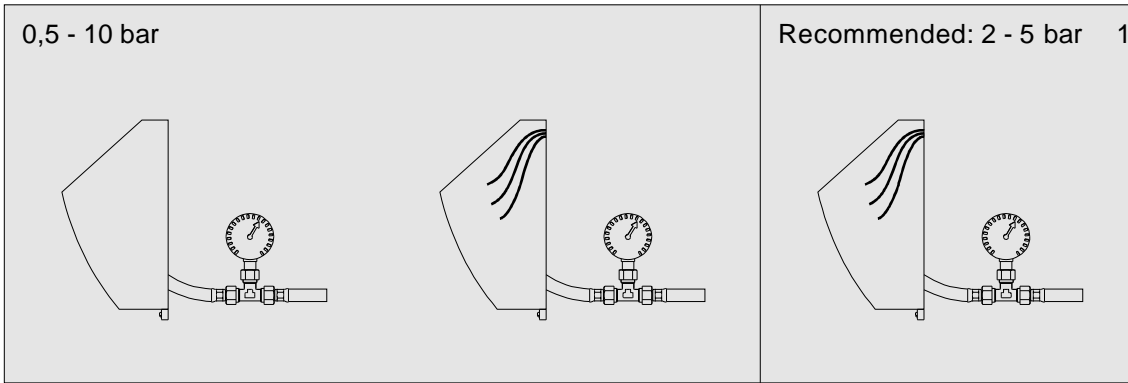
APIS-1VS9.1

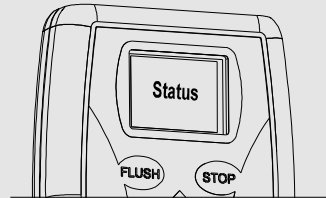
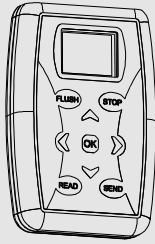
6 V =

CN: 013033-093

Var.1/17

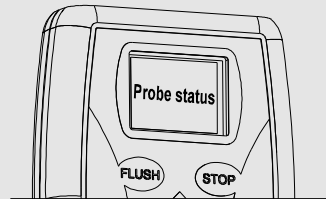
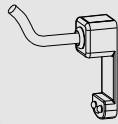
1. Technical specifications





[Status]:

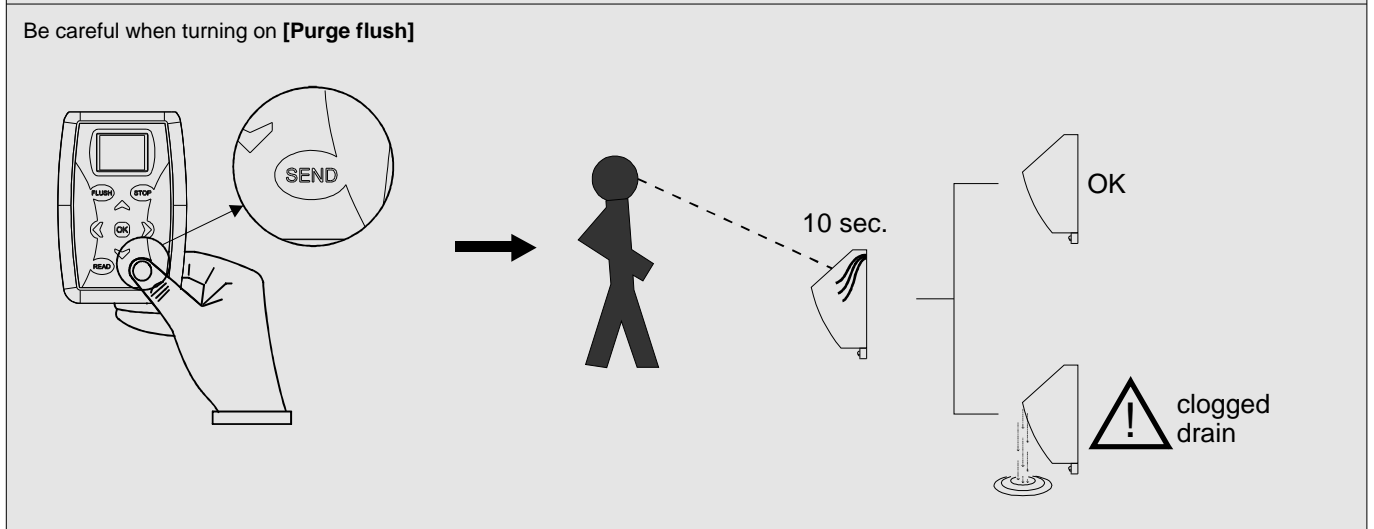
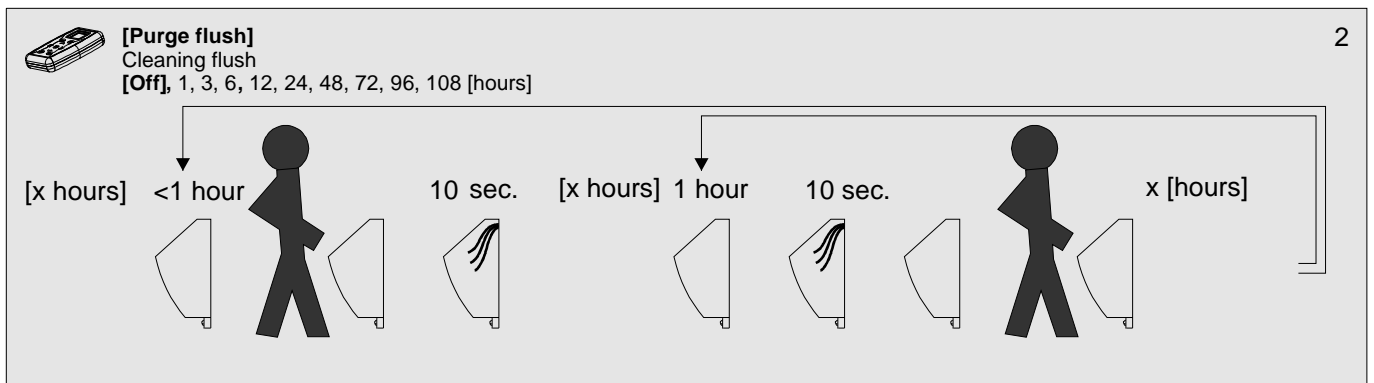
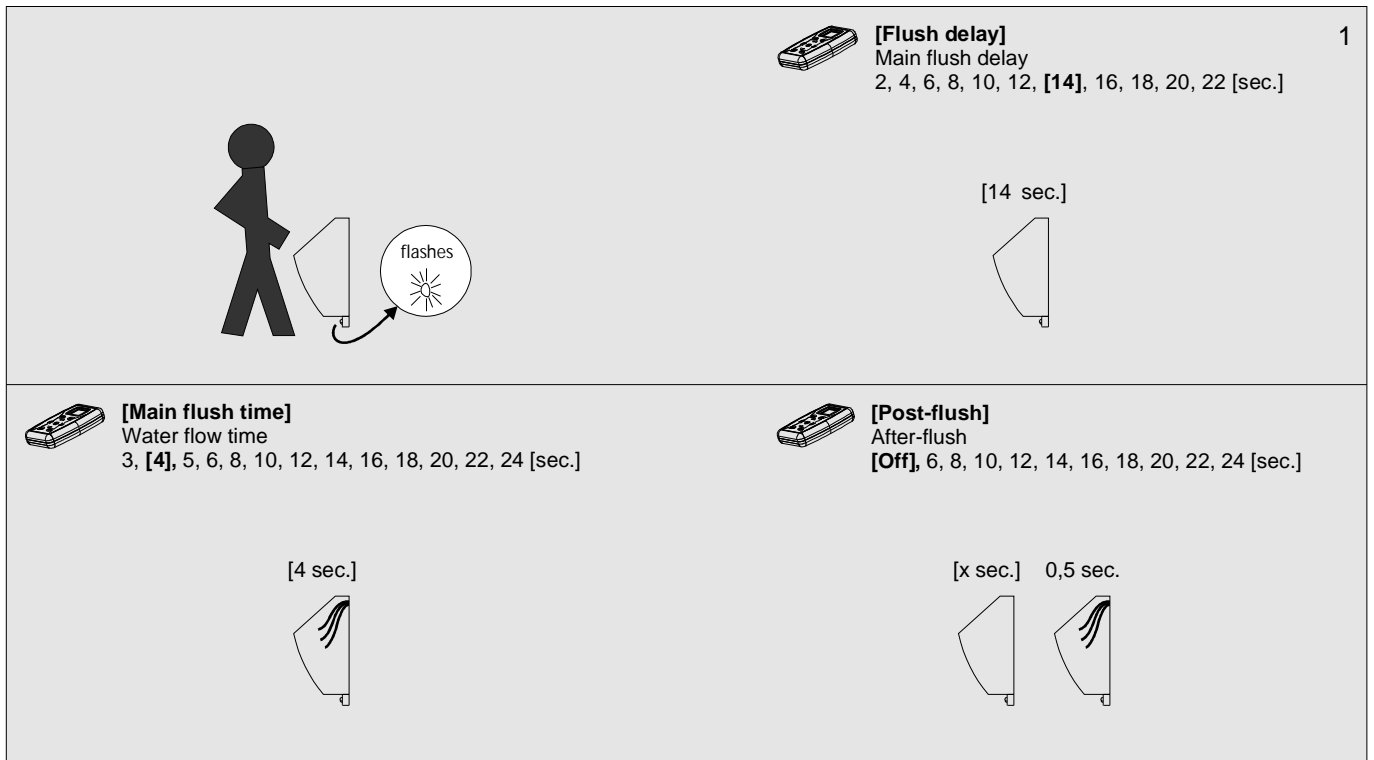
- | | |
|------------------------------------|---|
| 1. Sensor run time | (sensor operating time) |
| 2. Valve cycles | (number of valve cycles) |
| 3. Long stop time: - currently set | (current value of the total STOP time in hours) |
| - remaining | (time remaining until the end of the STOP in hours) |
| 4. CN | (code number) |
| Software ID | (program version) |



[Probe status]:

- | | |
|--|--|
| 1. Just active mode: - low conductivity A1 | (currently active mode: - low conductivity |
| - high conductivity A2 | - high conductivity |
| - normal | - normal) |
| 2. Low conductivity mode counter A1 | (number of low conductivity modes) |
| 3. High conductivity mode counter A2 | (number of high conductivity modes) |

2. Activity description



[Hyg. periode]
Hygienic rinsing period after last use
Off, 1, 3, 6, **[12]**, 24, 48, 72, 96, 108 [hours]

[Hyg. flush time]
Duration of hygienic rinsing after last use
[5], 10, 15, 30, 60, 90, 120, 150, 180 [sec.]

3

[Stop time]
Flush blocking
1, 2, **[3]**, 4, 5, 6, 7, 8, 9, 10 [min.]

4

[3 min.]

[Long stop time]
Long flush blocking
0.5, 1, 2, 3, 4, 5, **[6]**, 7, 8, 9, 10, 11, 12 [hours]

5

[6 hours]

4 sec. 15 sec. 4 sec. 15 sec. 0,5 sec.

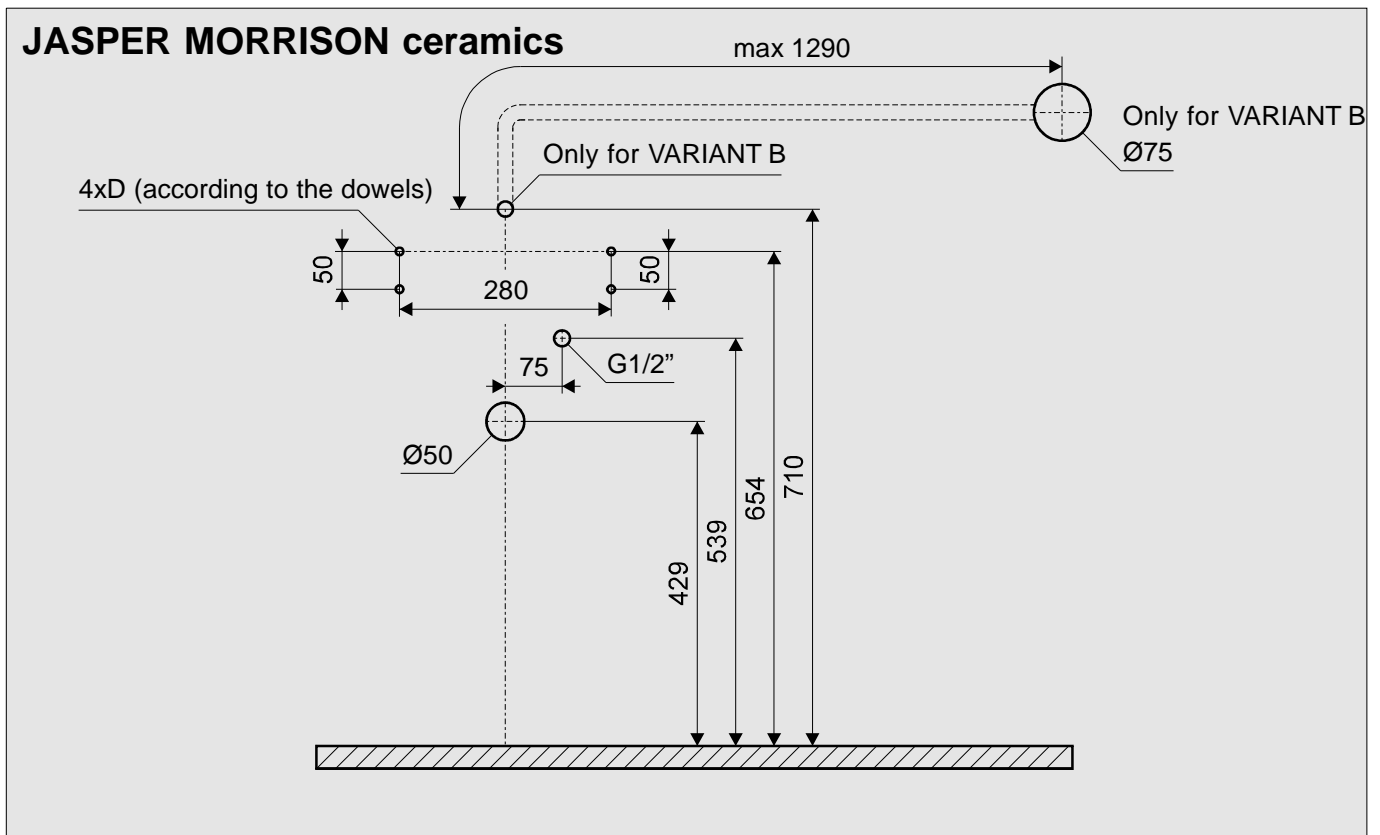
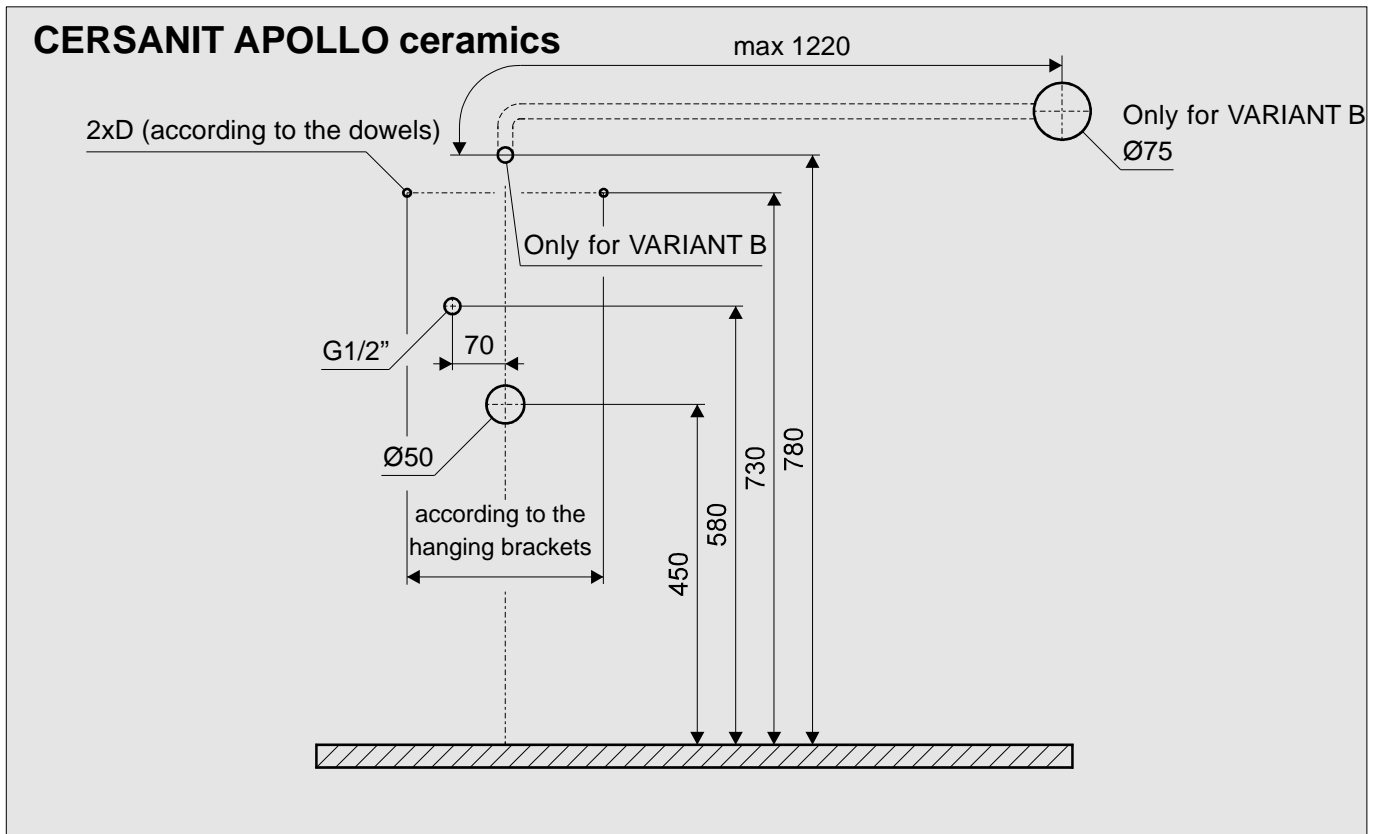
[Sensitivity]
Sensor sensitivity
1-low, 2, 3, 4, 5, 6, 7, **[8]**, 9, 10-high

6

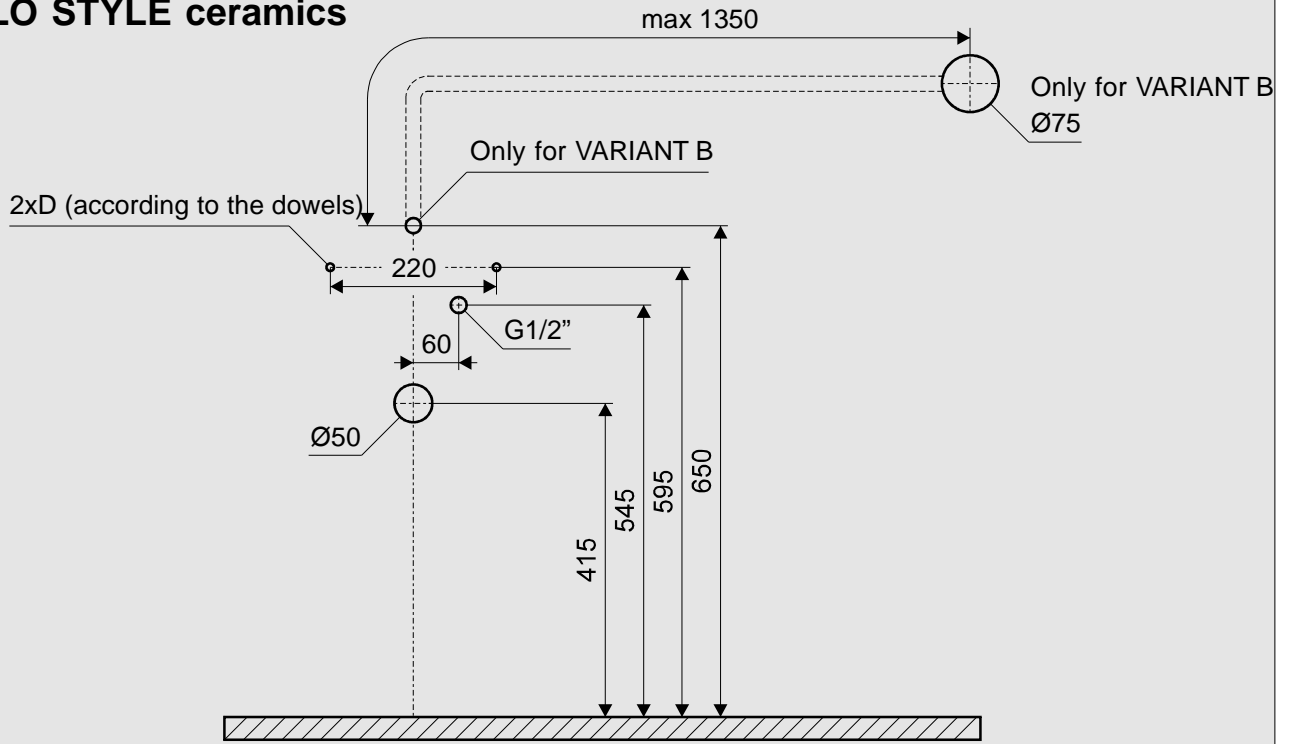
high sensitivity needs to be set

low sensitivity needs to be set

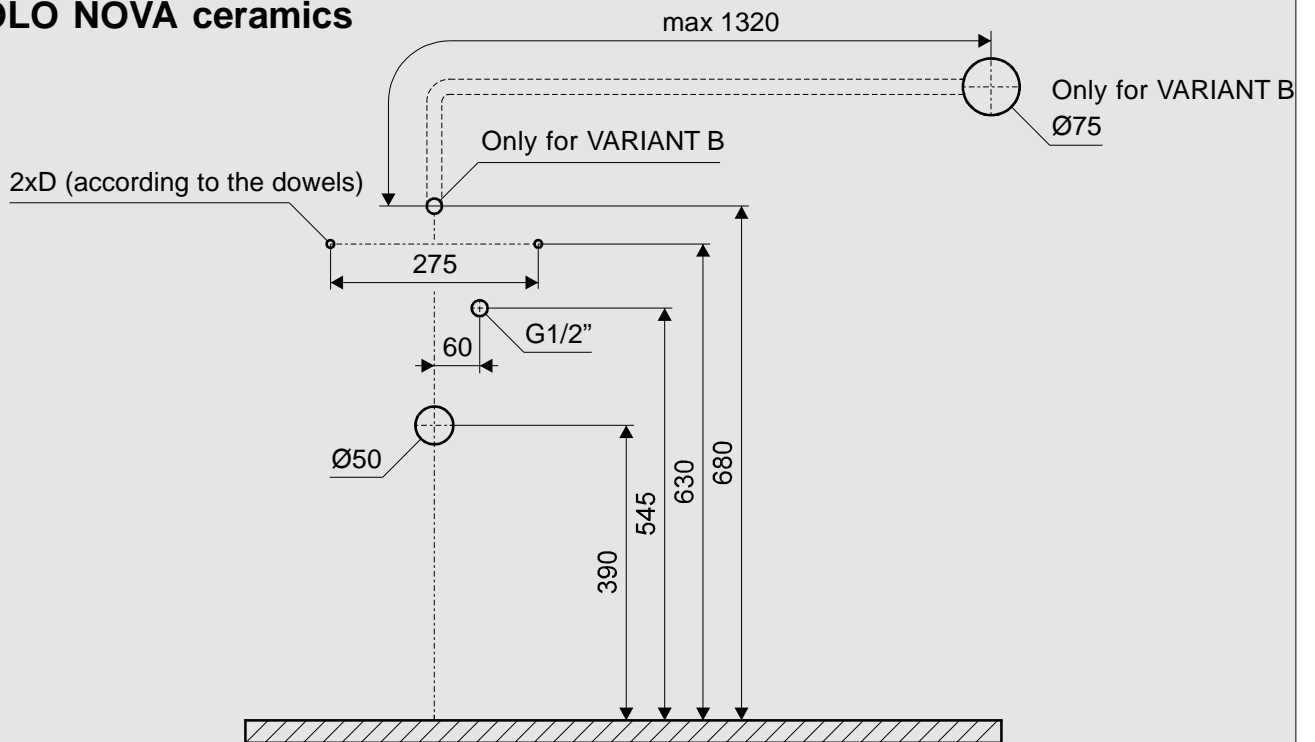
3. Construction requirements



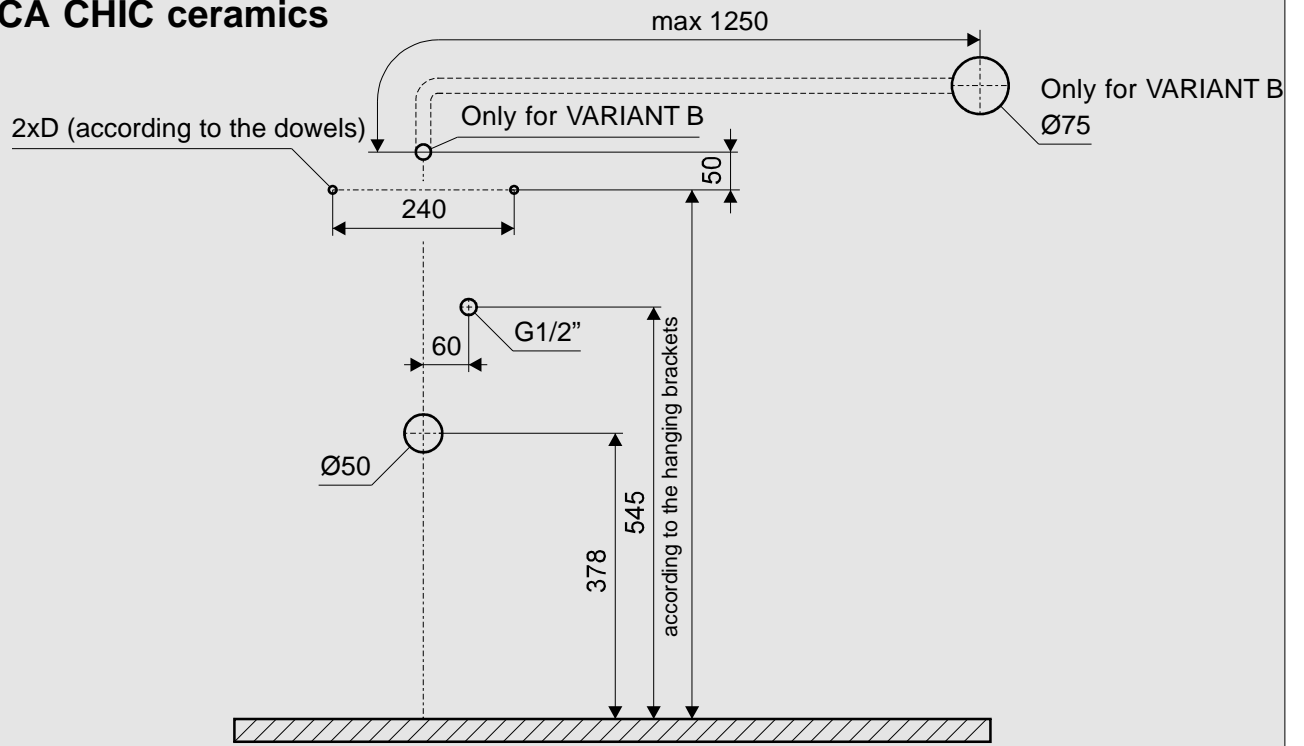
KOLO STYLE ceramics



KOLO NOVA ceramics

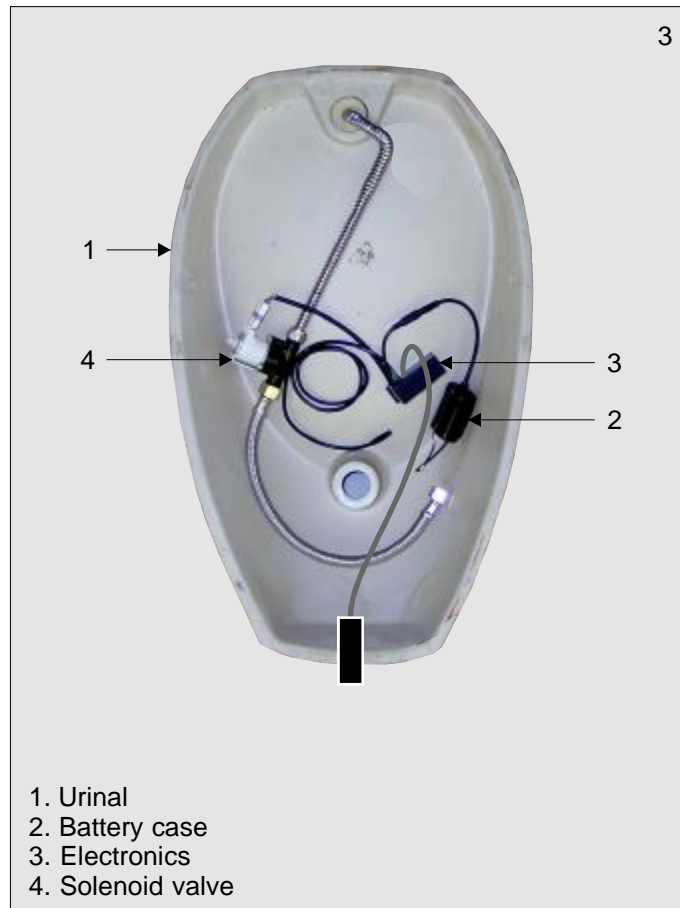
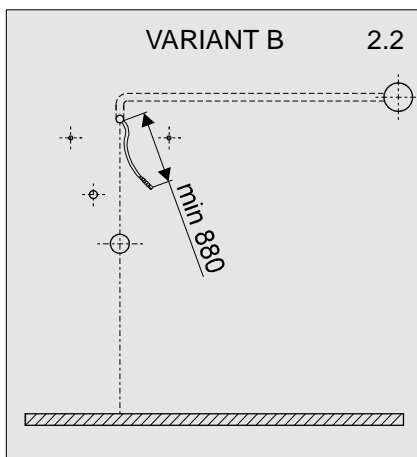
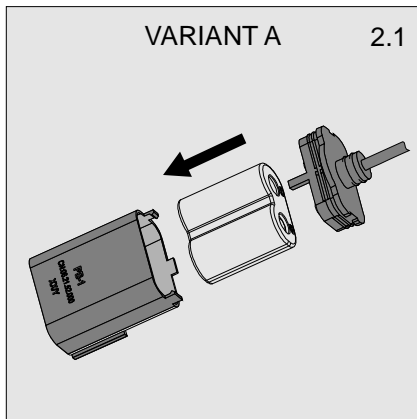
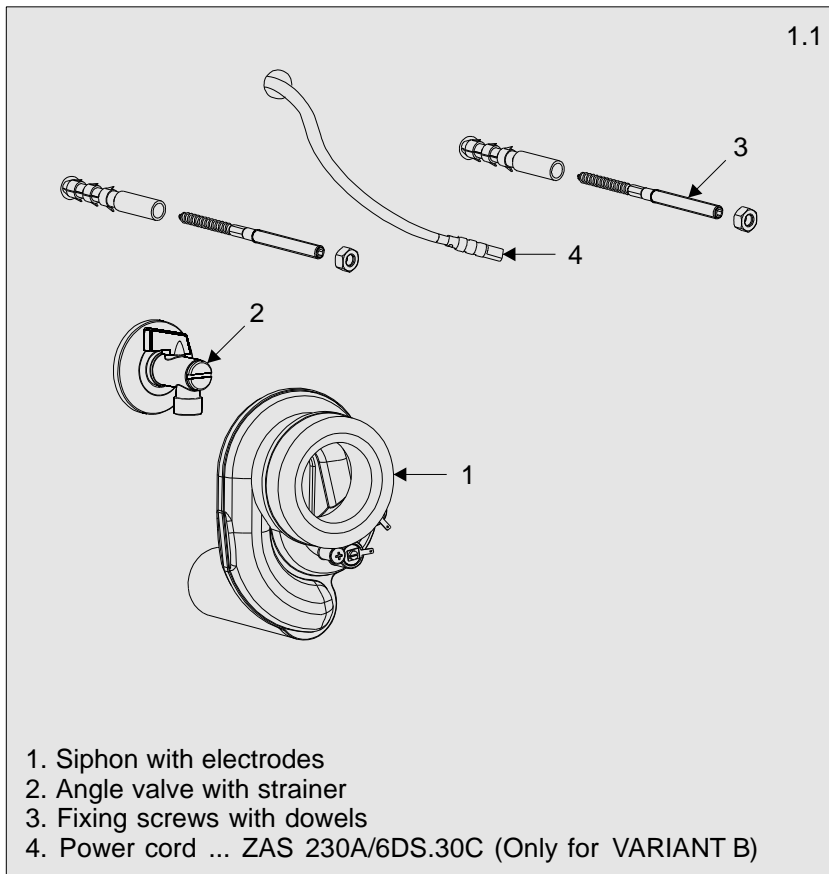


ROCA CHIC ceramics



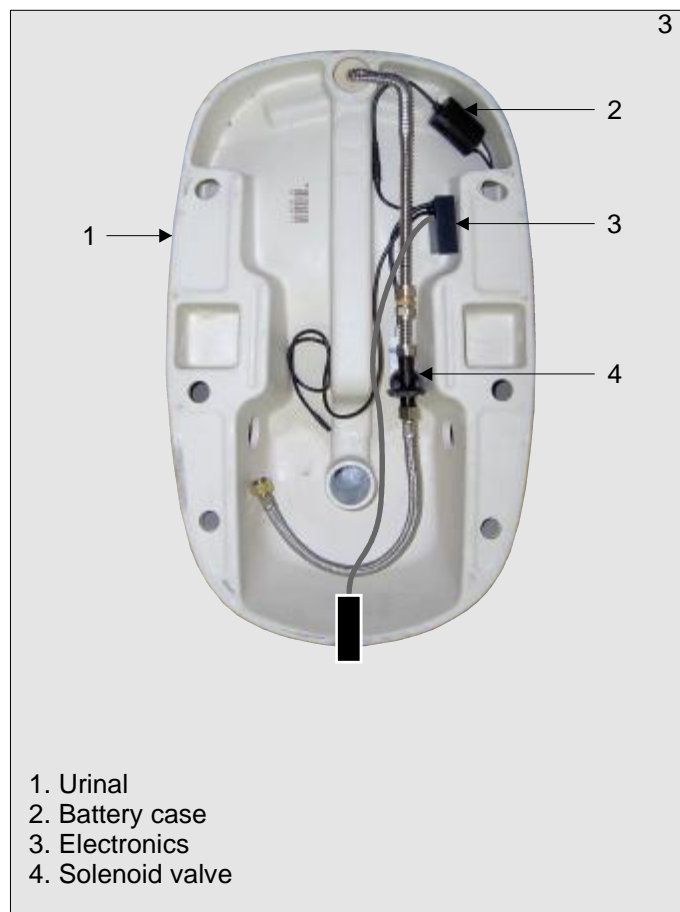
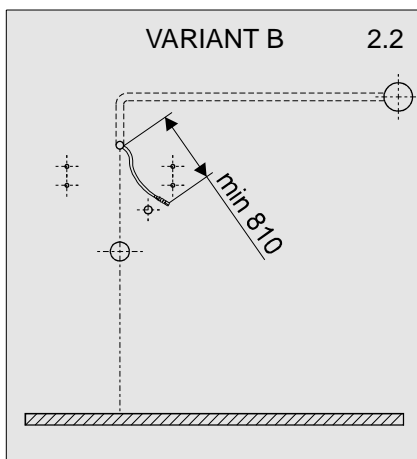
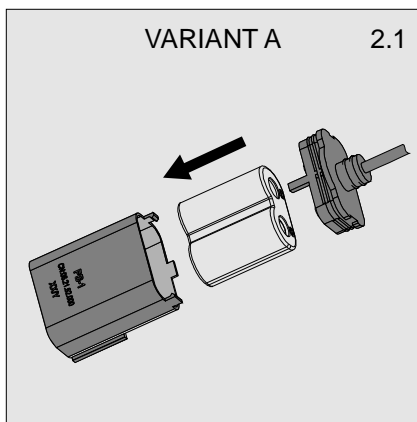
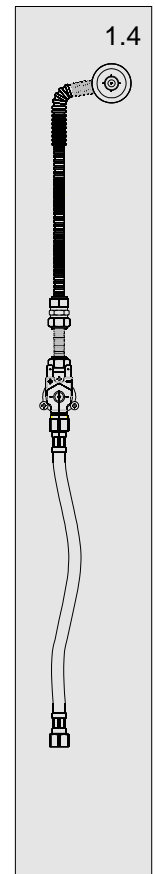
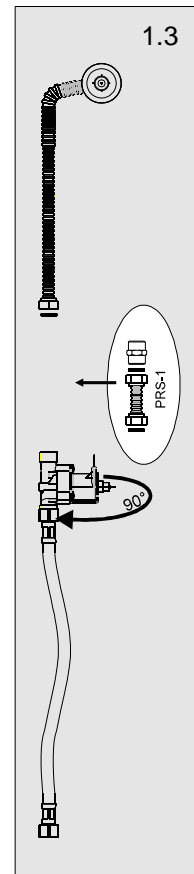
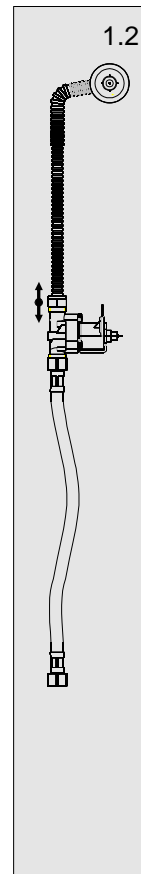
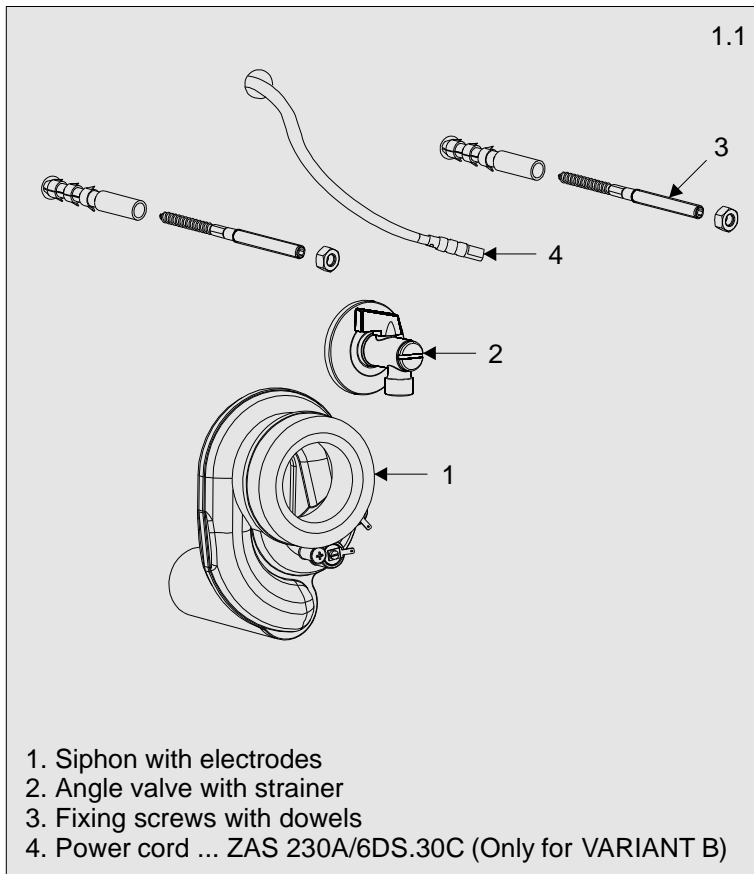
4. Assembly

a) CERSANIT APOLLO ceramics

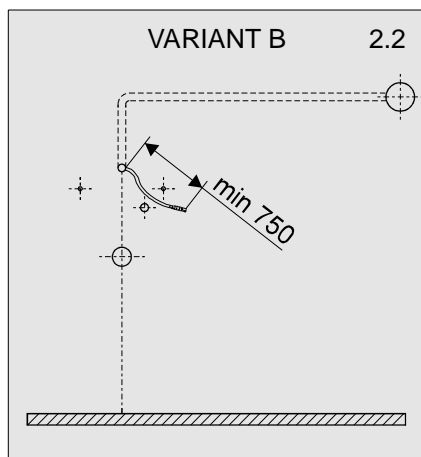
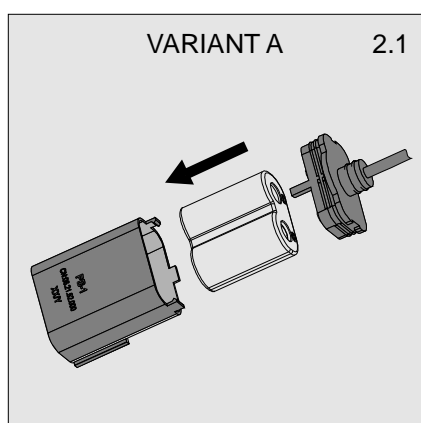
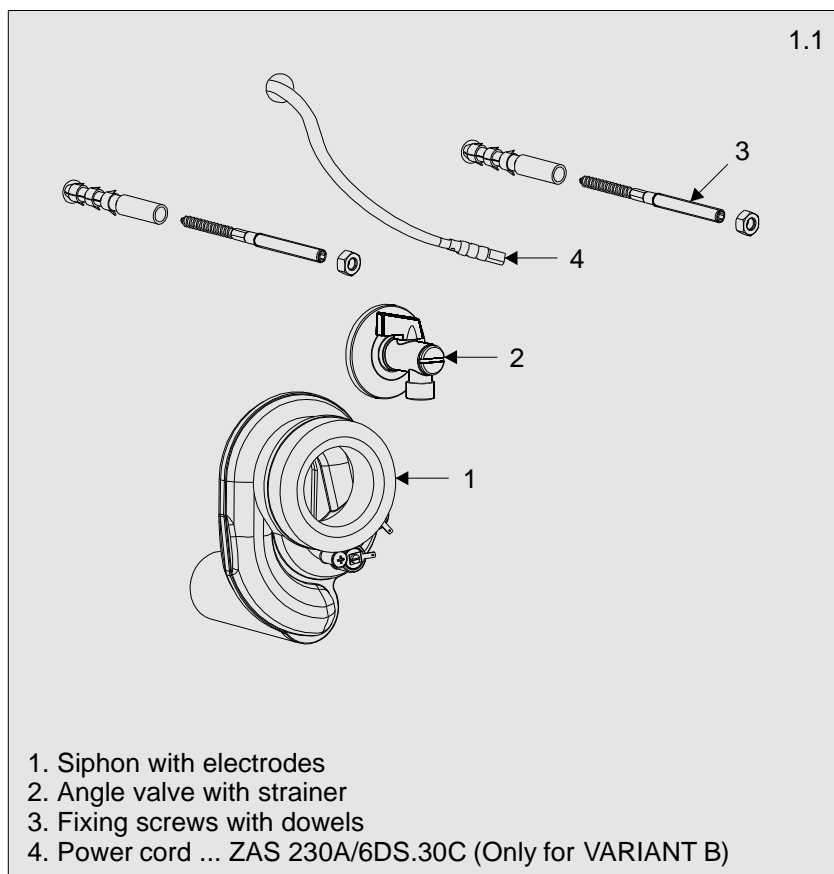


CN: 013033-093

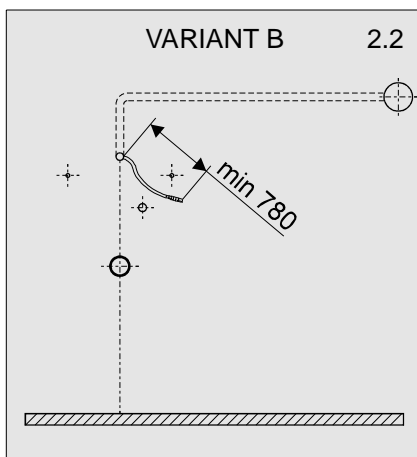
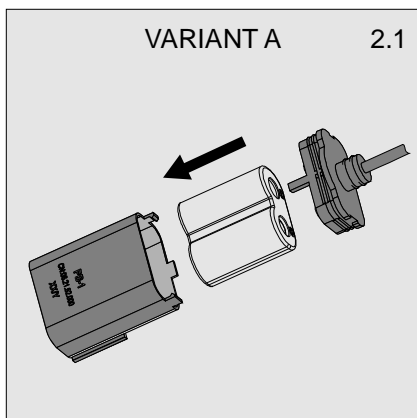
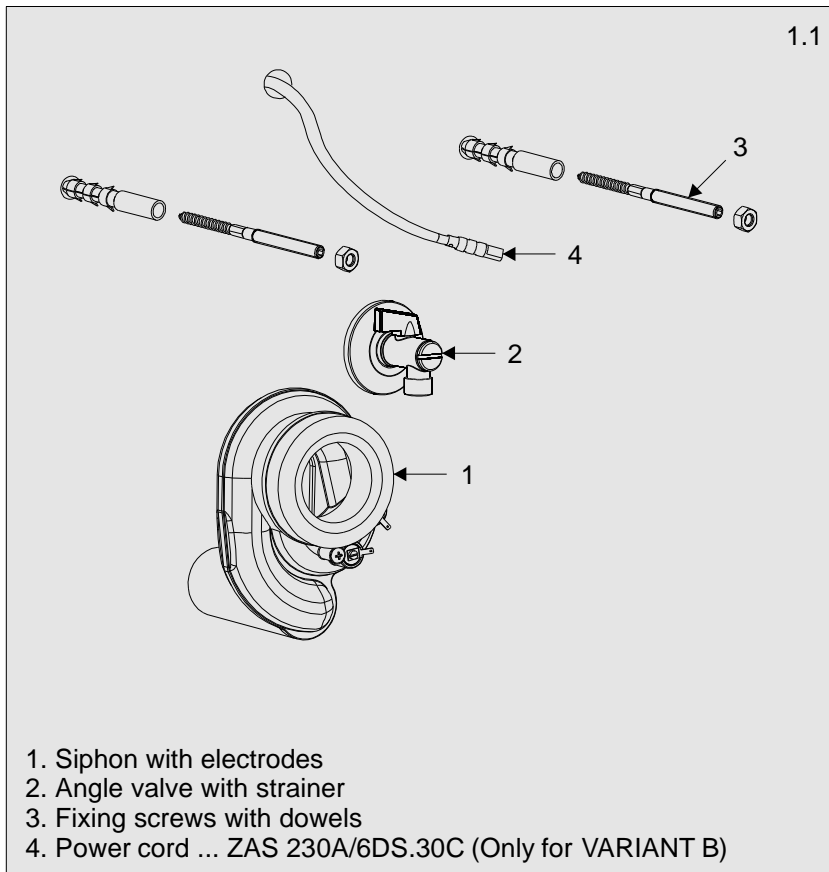
b) JASPER MORRISON ceramics



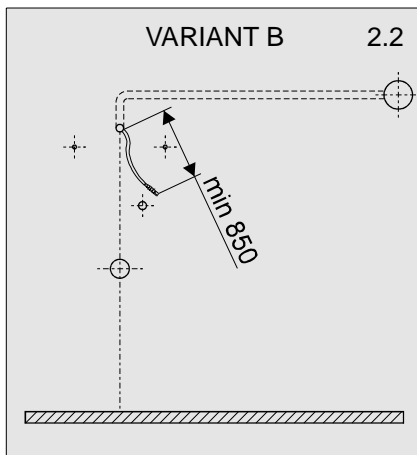
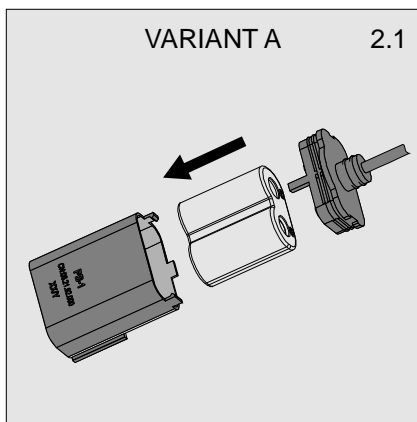
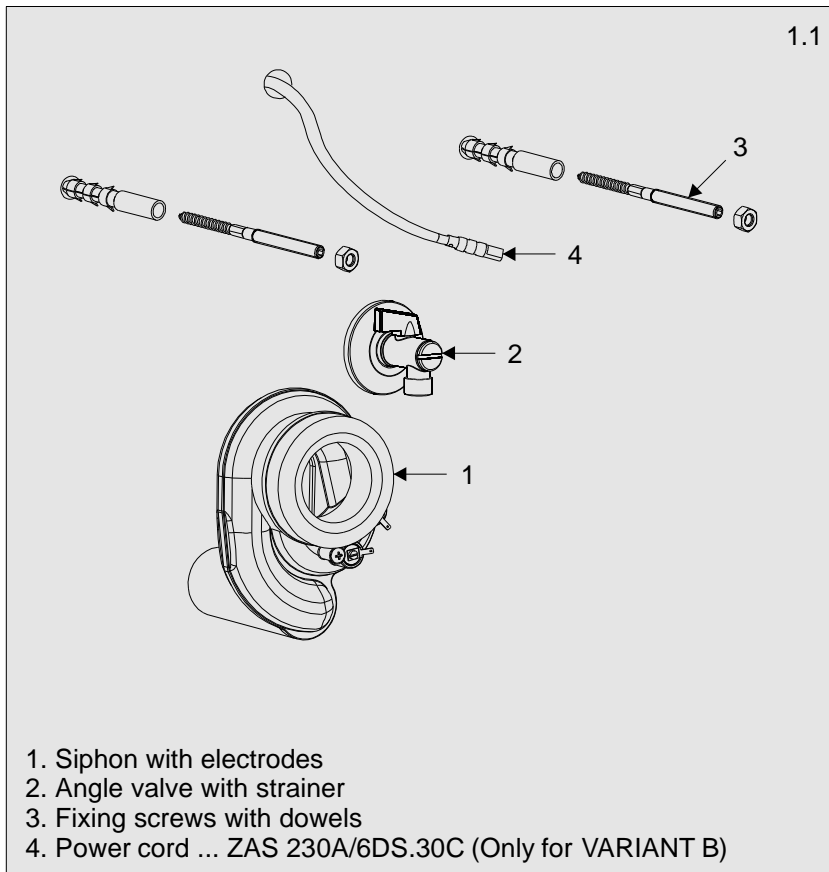
c) KOLO STYLE ceramics

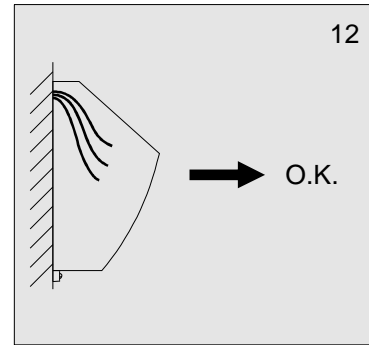
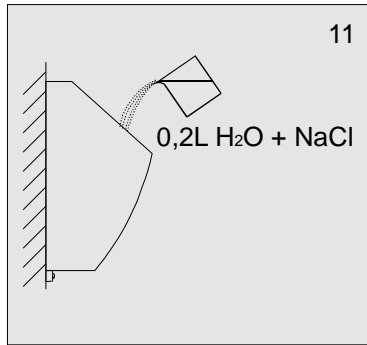
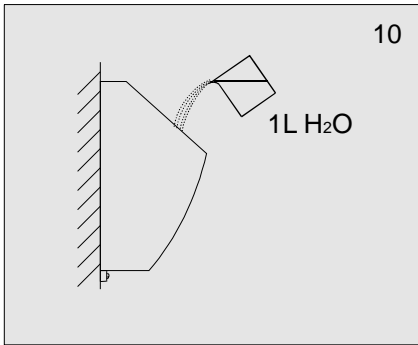
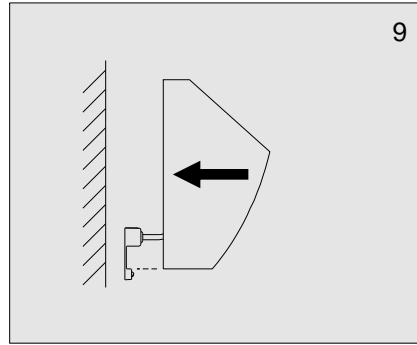
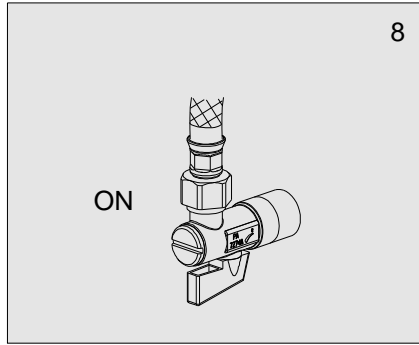
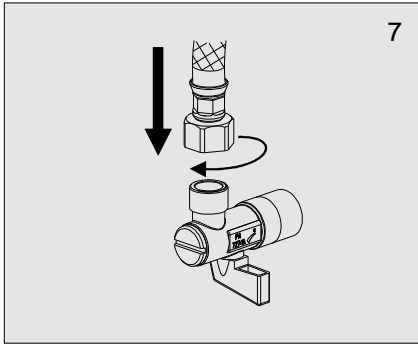
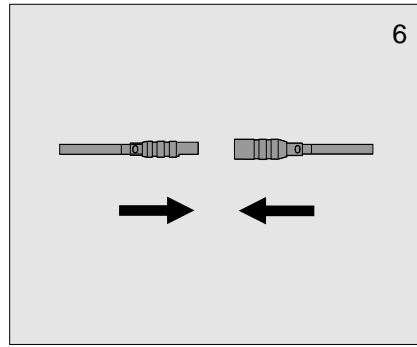
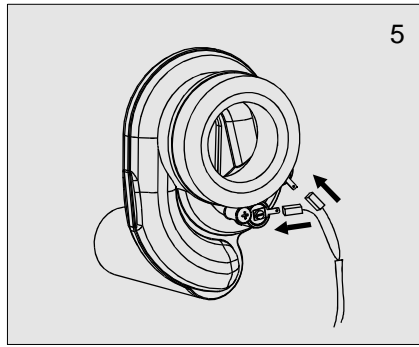
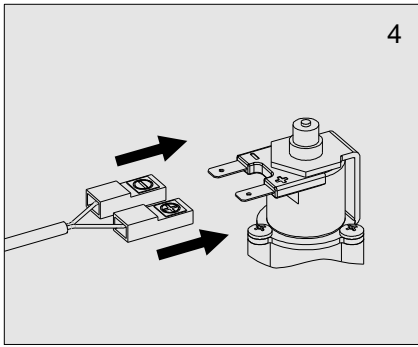


d) KOLO NOVA ceramics

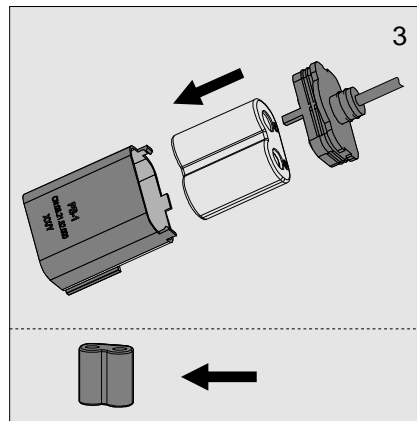
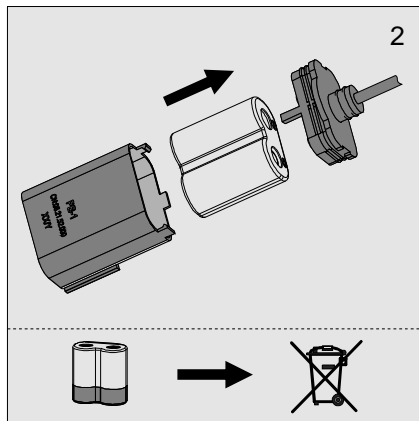
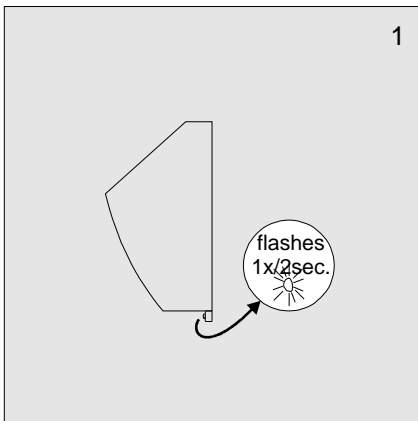


e) ROCA CHIC ceramics

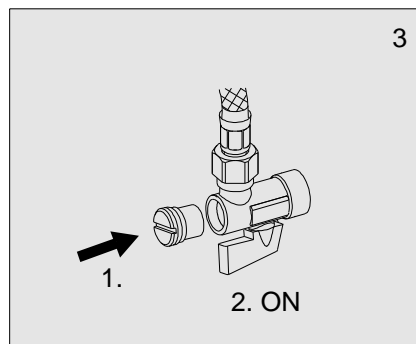
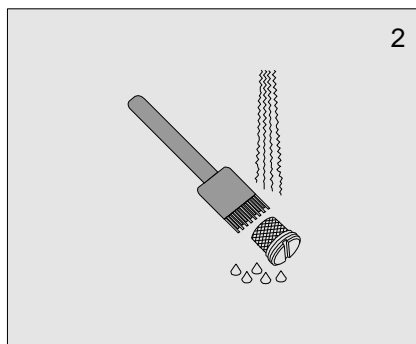
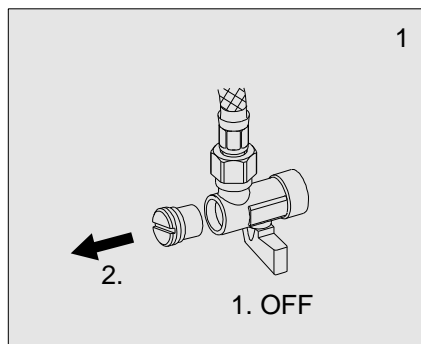




5. Battery replacement



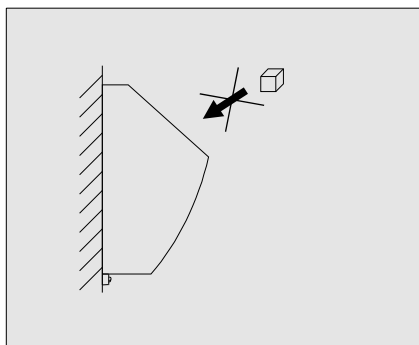
6. Filter cleaning



7. Troubleshooting

Problem	Possible cause	Defect removal
No water flowing	Closed angle valve Empty battery Defective sensor	Open the angle valve Replace the battery Call the serviceman
LED flashes 1x / 2sec.	Empty battery	Replace the battery
Reduced water flow	Clogged filter	Clean the filter
The water is flowing constantly	Defective solenoid valve	Close the angle valve and call the serviceman
Repeated automatic flushes	Disinfectant in a urinal	Remove the disinfectant from the urinal and rinse the urinal - use [Flush]
No self-suction in the siphon	Reduced water flow	Clean the filter in the angle valve Check the recommended pressure or the minimum required flow of 13 l/min If the suction still does not occur, set the cleaning flush [Purge flush]
After flushing, no water remains in the urinal	Water is completely sucked out by a dirty siphon. The water is completely sucked out by an unvented waste pipe	Clean the siphon with a chemical using the [Long stop time] function Set after flush [Post-flush]

8. Important notices



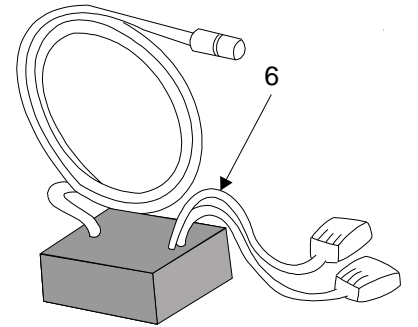
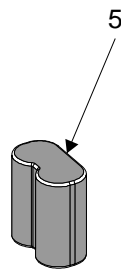
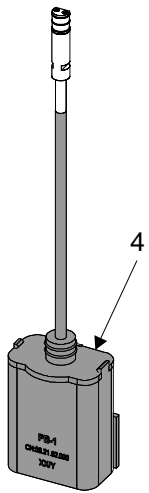
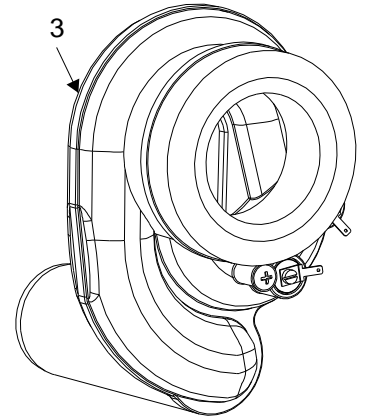
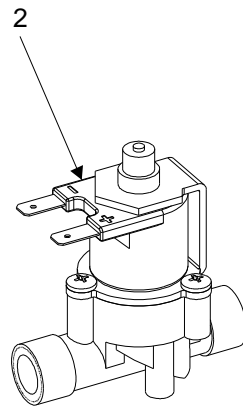
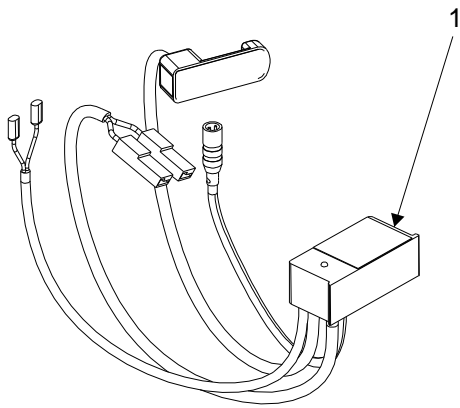
Do not throw solid disinfectants into the urinal (cubes, granules, ...). This leads to cyclic flushing.

The siphon must be cleaned every three months. We recommend chemicals containing sulfuric or phosphoric acid.
E.g.: PULIRAPID, STURA FACILE or FIXINELA.

During cleaning, turn off the water using the **[Long stop time]** function for the time prescribed on the detergent.

CN: 013033-093

9. Spare parts



- 1. CN: 013041-000
- 2. PLU 1/5593
- 3. CN: 013033-025
- 4. CN: 062152-000
- 5. PLU 1/1721
- 6. CN: 062131-020

Electronics
 Solenoid valve
 Siphon
 The battery case is not part of the product
 Battery CR-P2 6V - is not part of the product
 Power supply - is not part of the product